

Client _____ Quantity _____
 Project _____ Position _____

Qubi oven

Qubi oven Gas Combi-Oven 6 trays GN 1/1



Model: QUBI6G

Cod: NP01064031000

Technical data

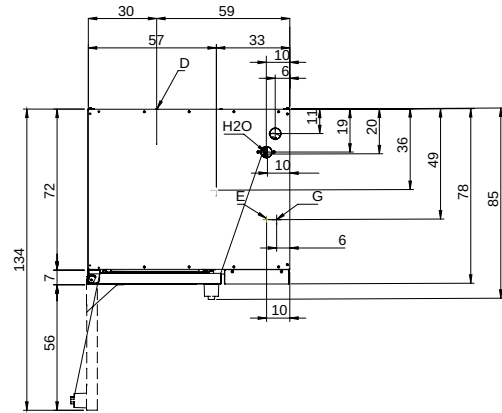
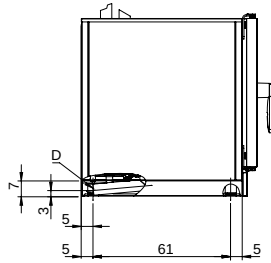
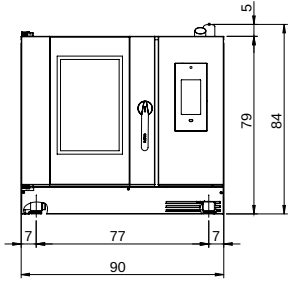
| | |
|----------------------------|-----------------|
| Number of pans: | 6 |
| Pans size (mm): | GN 1/1 |
| Tray centre distance (mm): | 70 |
| Number of fans: | 1 |
| Fan speed: | 17 |
| Dimensions (mm): | 900 x 850 x 840 |
| Net weight (Kg): | 146 |
| Volume (m3): | 0,643 |
| Chamber size (mm): | 410 x 680 x 470 |
| Electric power (kW): | 3 |
| Voltage (V): | 220-240 |
| Power supply (A): | 13 |
| Phases: | 1N |
| Cable section (mmq): | 5G1,5 |
| Frequency (Hz): | 50-60 |
| Gas power (kW): | 9 |
| Total gas power (Kcal/h): | 7740 |

Cosmo: "Nice kitchens use
 Cosmo, the
 innovative wi-fi

Features

| | |
|--------------------|---|
| Oven type: | Combi |
| Control: | Touch screen |
| Touch screen: | 7" |
| Functions: | Cottura Dry, vapore, mista, mantenimento, essiccazione, multilivello, cottura lenta, cottura delta T, finishing, rigenerazione, pastorizzazione |
| Cooling: | Funzione raffreddamento camera rapido |
| Probe: | Standard - multipoint core probe |
| Washing: | Di serie - Circuito chiuso |
| Detergent: | Monodose liquida |
| Steam: | Direct + indirect |
| Steam management: | Double Steam Balance |
| Boiler: | Standard |
| Temperature range: | 30°C - 300°C |
| Door: | Hinged door |
| Range timer: | 1'-24h |
| Flue: | Automatic |
| Recipes: | Standard |
| Wifi connection: | Standard |

Technical draw



G: Gas connection

E: Electric connection

D: Drain for water